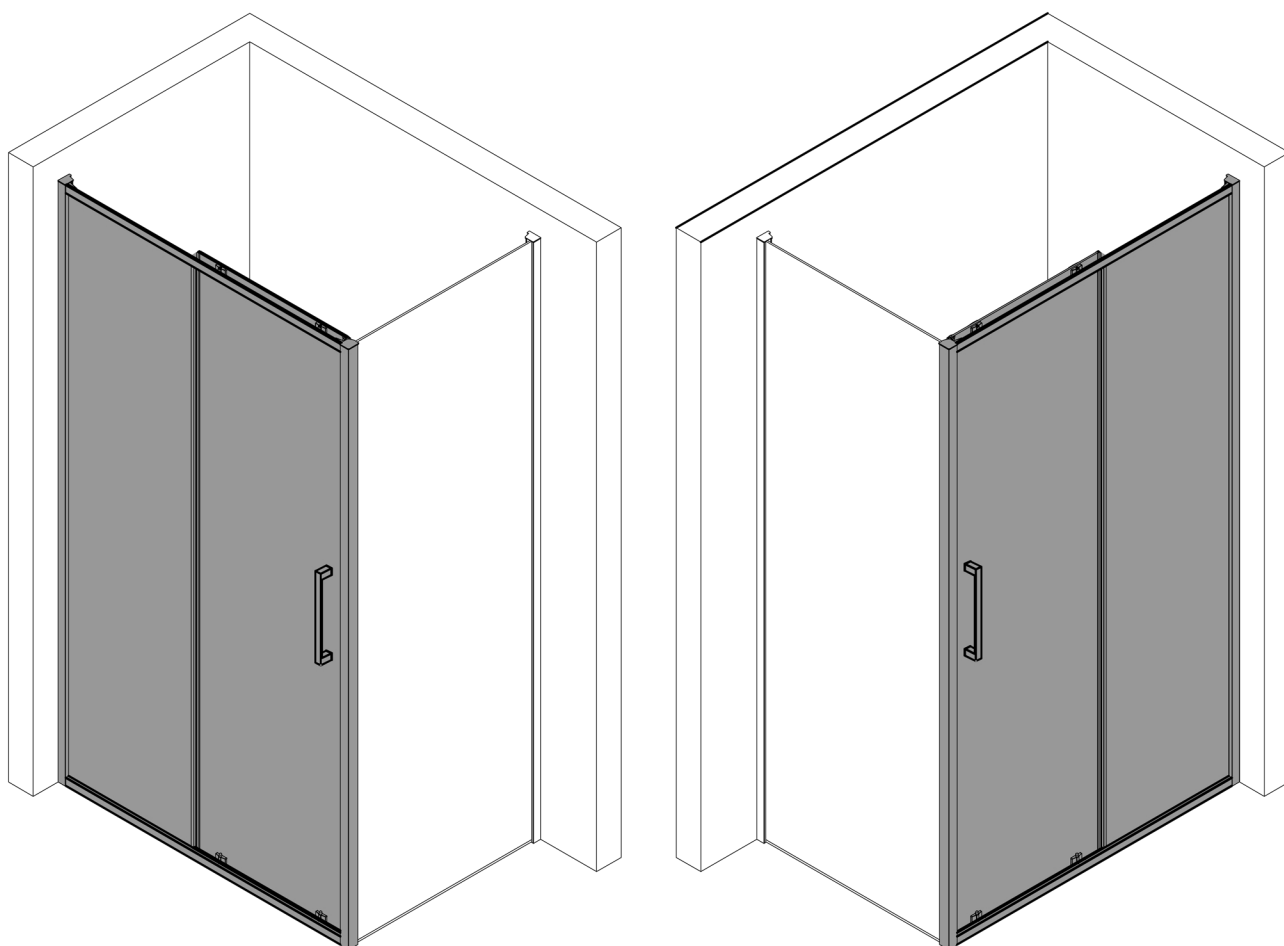
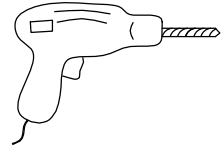
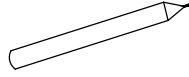
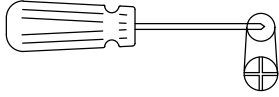
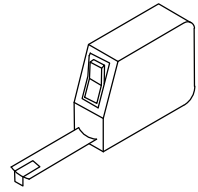
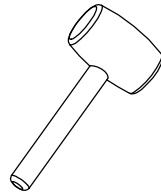
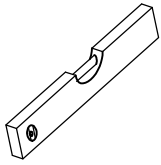


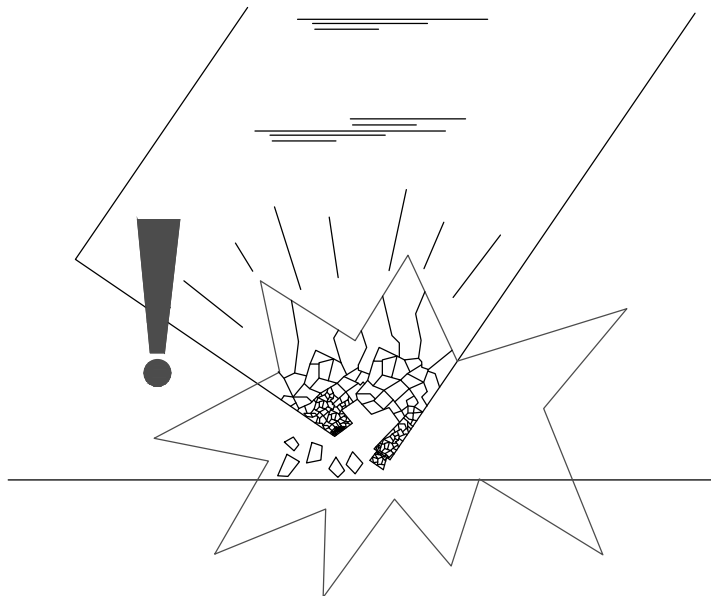
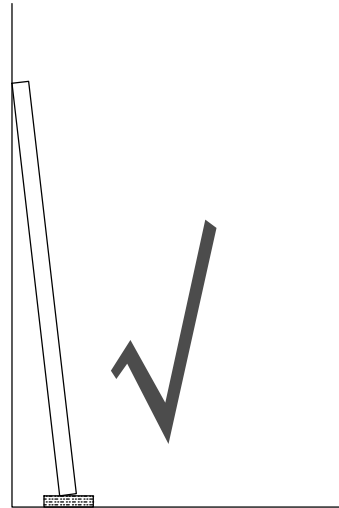
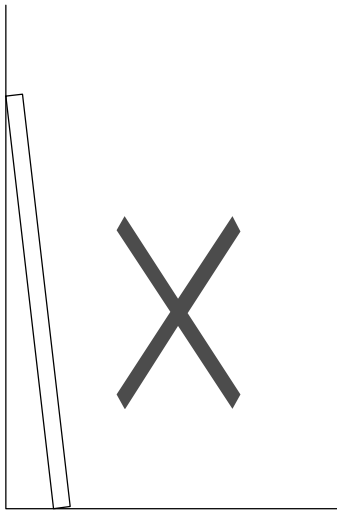
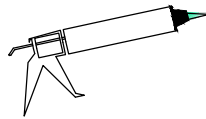
C-02-22080

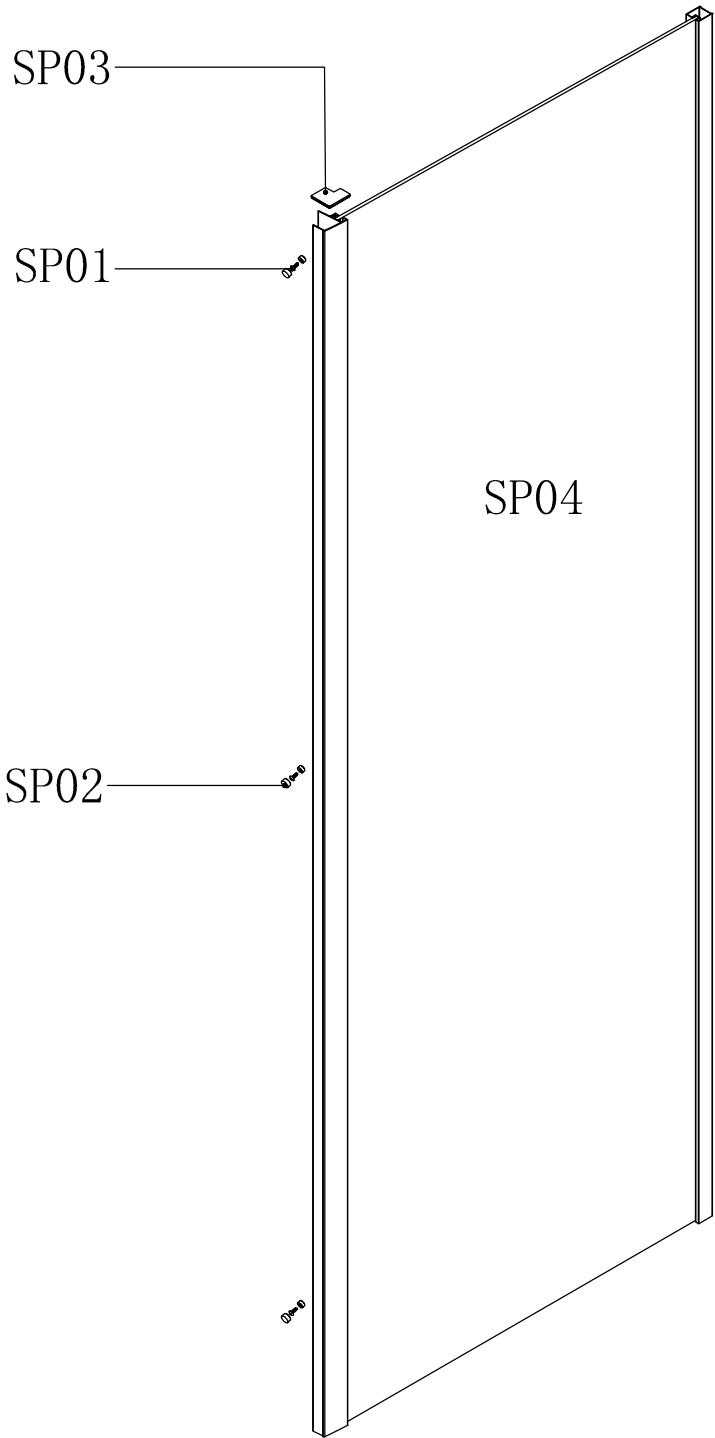
C-02-22090

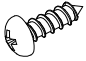





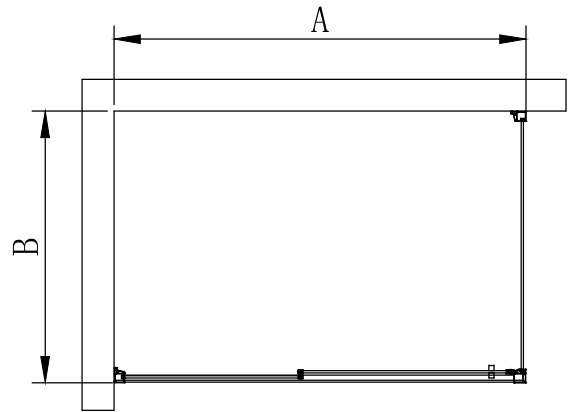
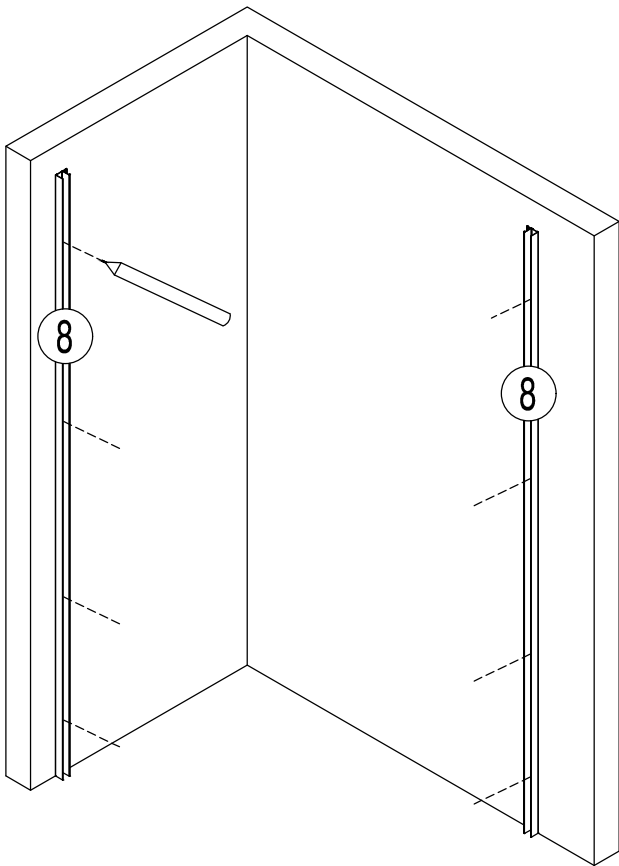


Ø6 Ø2.8

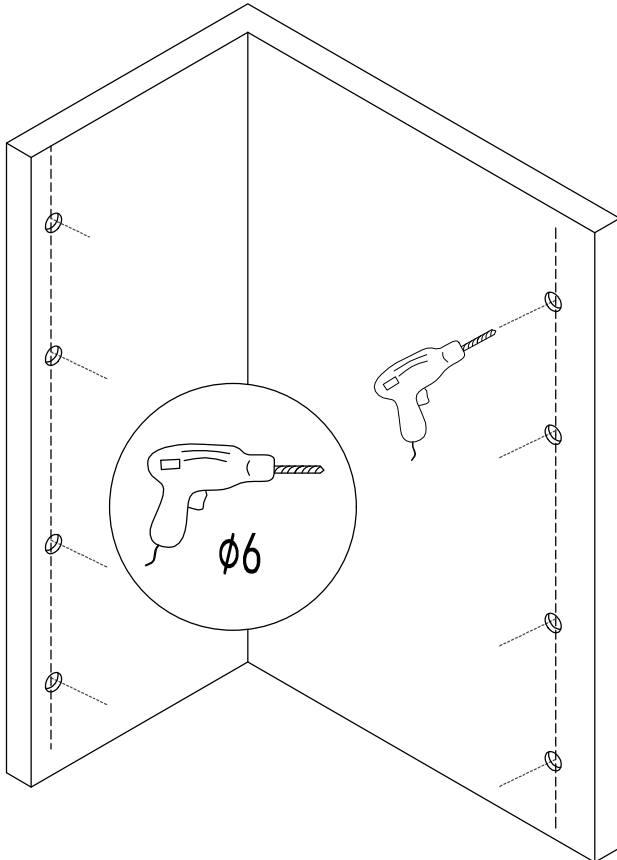




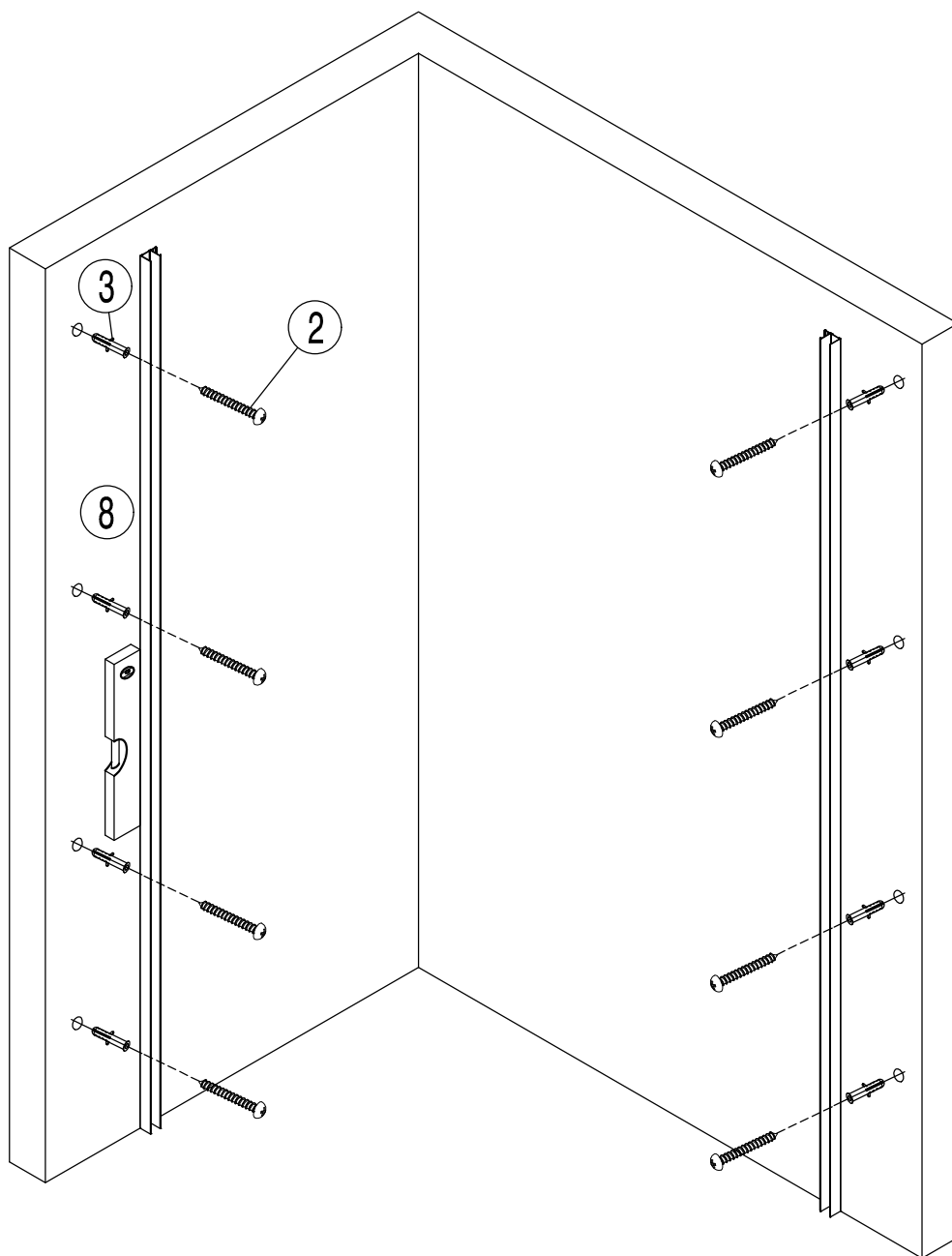
serial number	graphical	name	quantity	remarks
SP01		ST3.5X9.5	3 PCS	
SP02			3 PCS	
SP03			2 PCS	
SP04			1 PCS	



Size (mm)	A (mm)
1000	978-993
1200	1178-1193

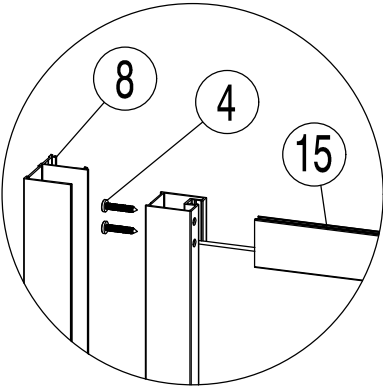


Size (mm)	B (mm)
800	775-790
900	875-890

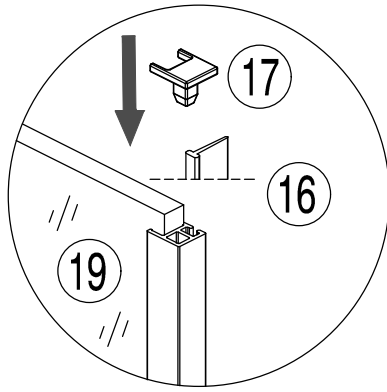


L

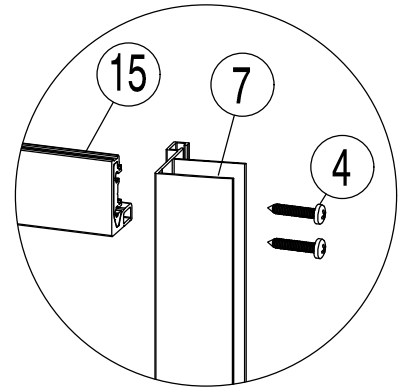
3



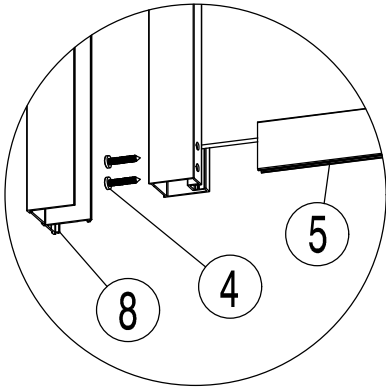
1



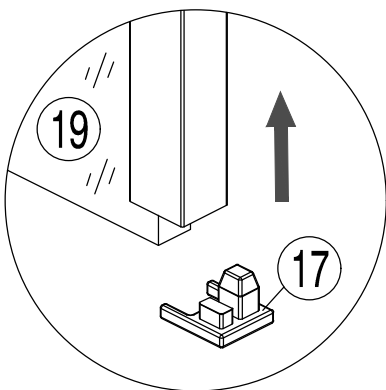
5



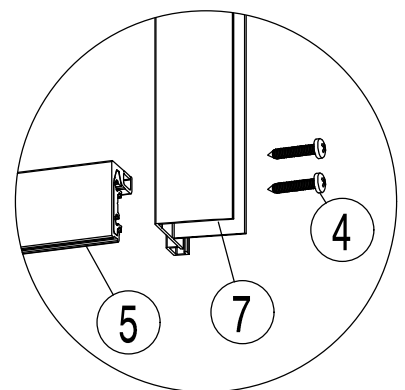
4



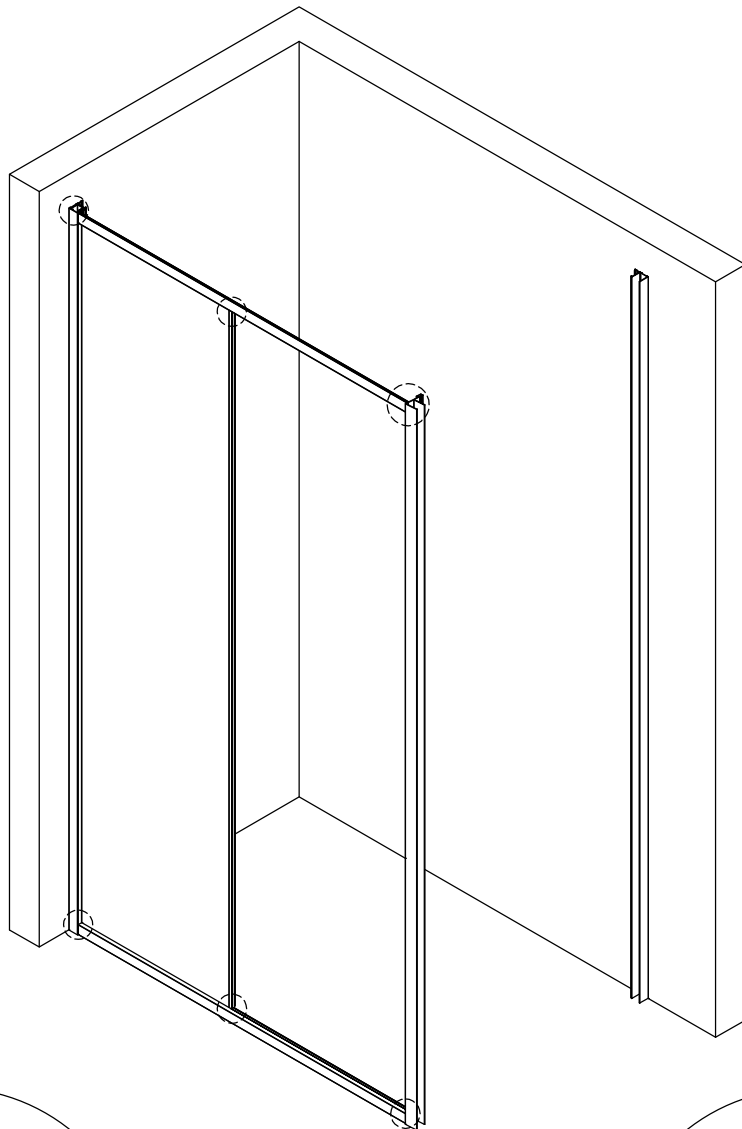
2



6



< 3 >

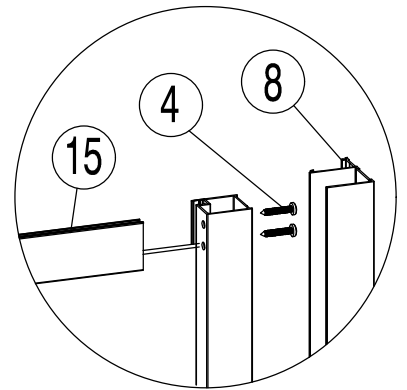
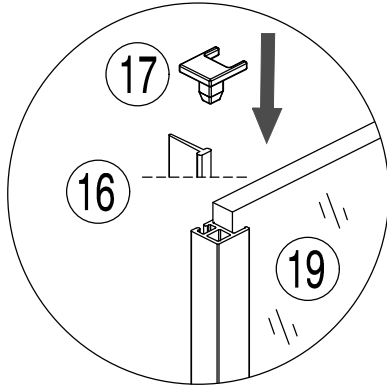
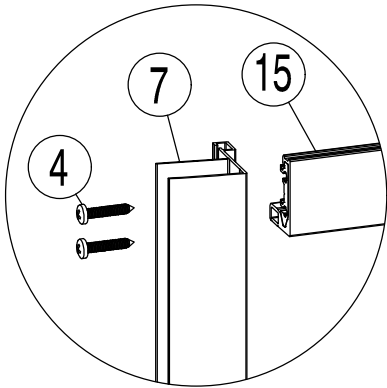


R

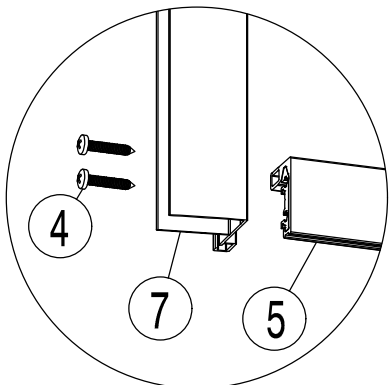
1

3

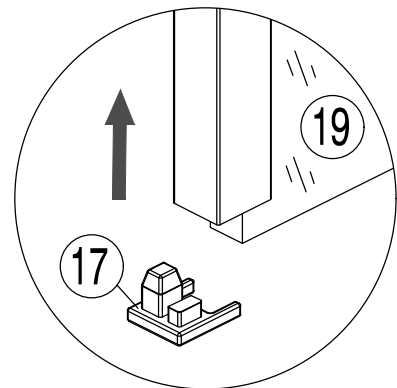
5



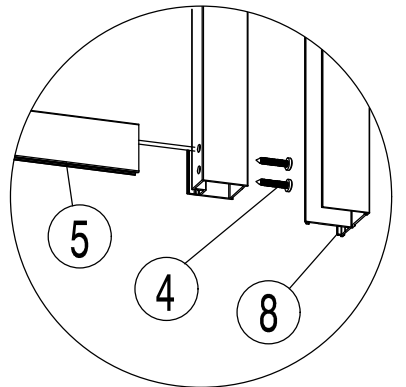
6



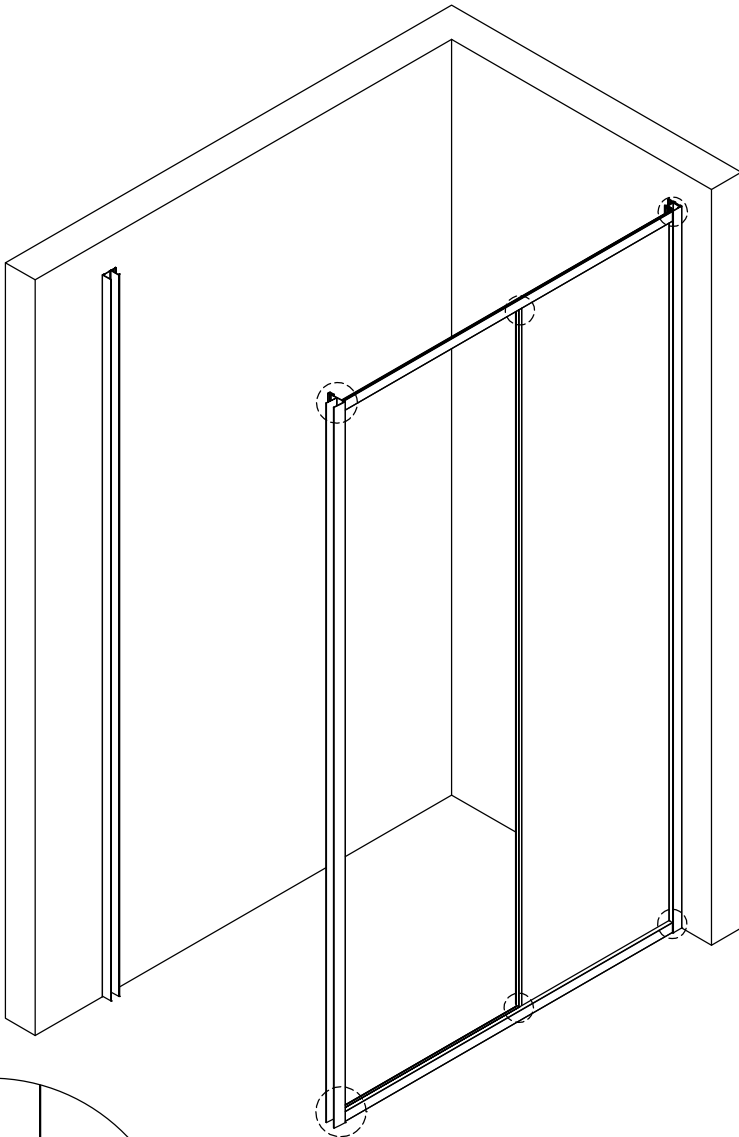
2

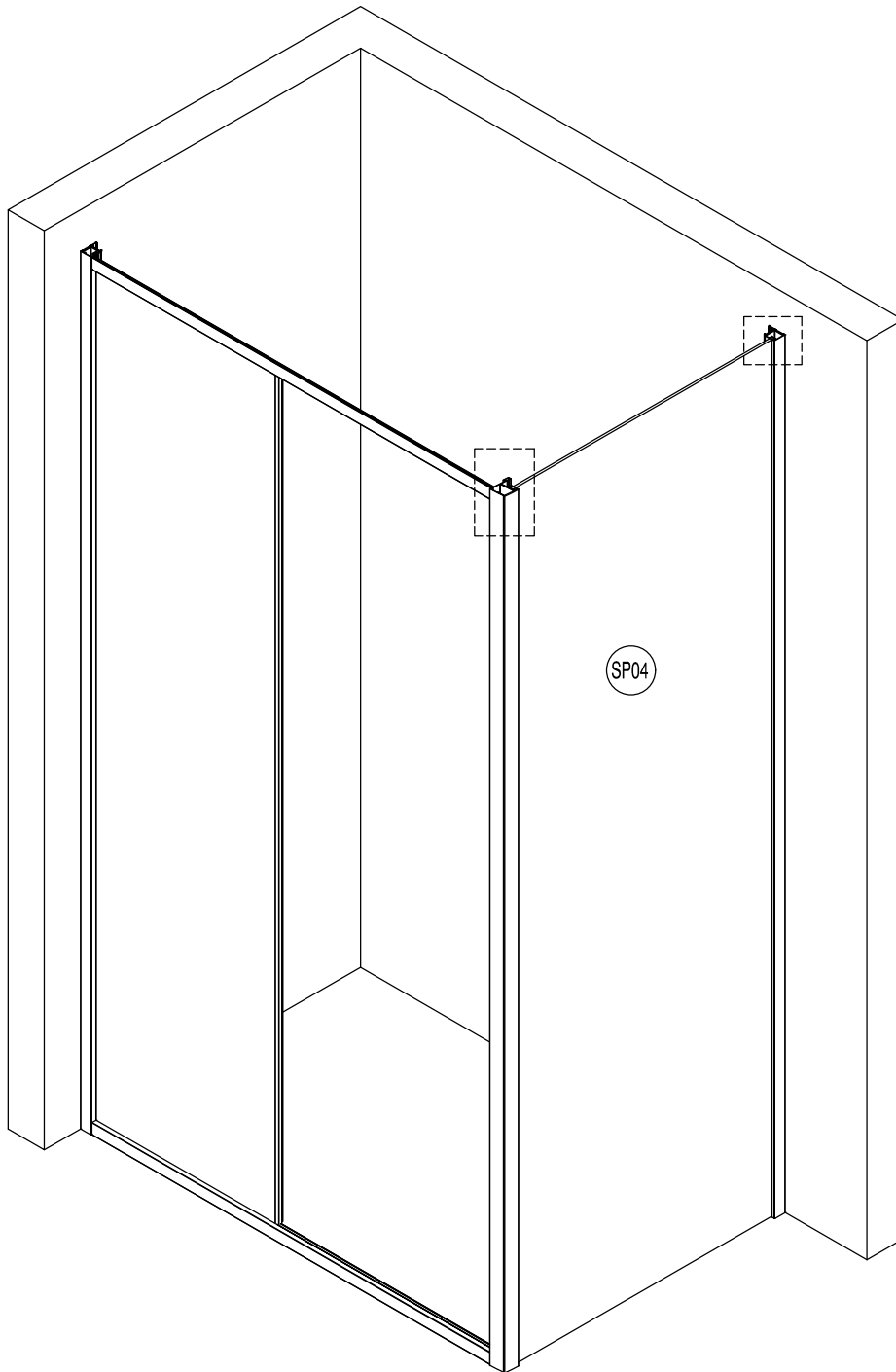
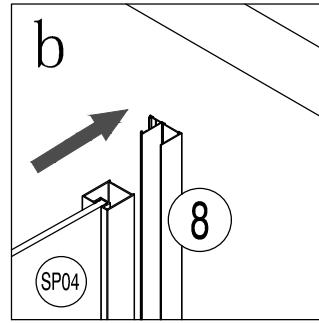
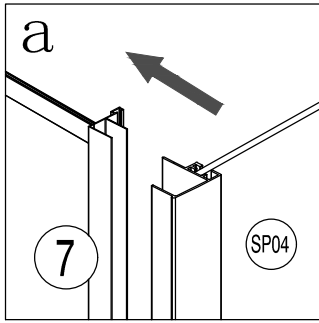


4

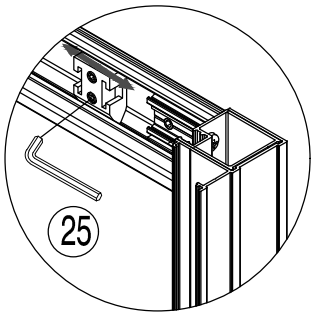


< 4 >

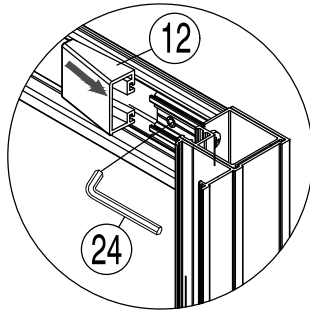




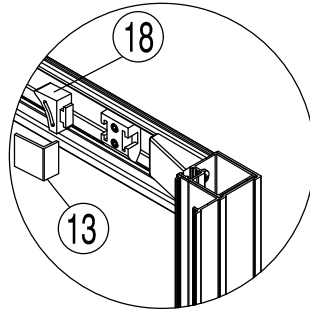
1



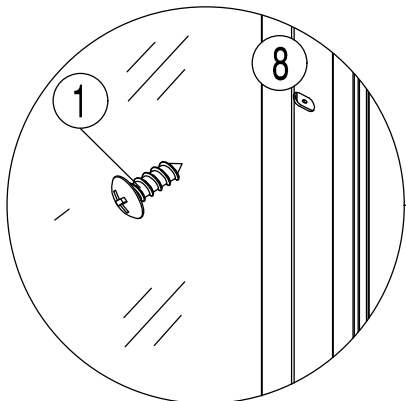
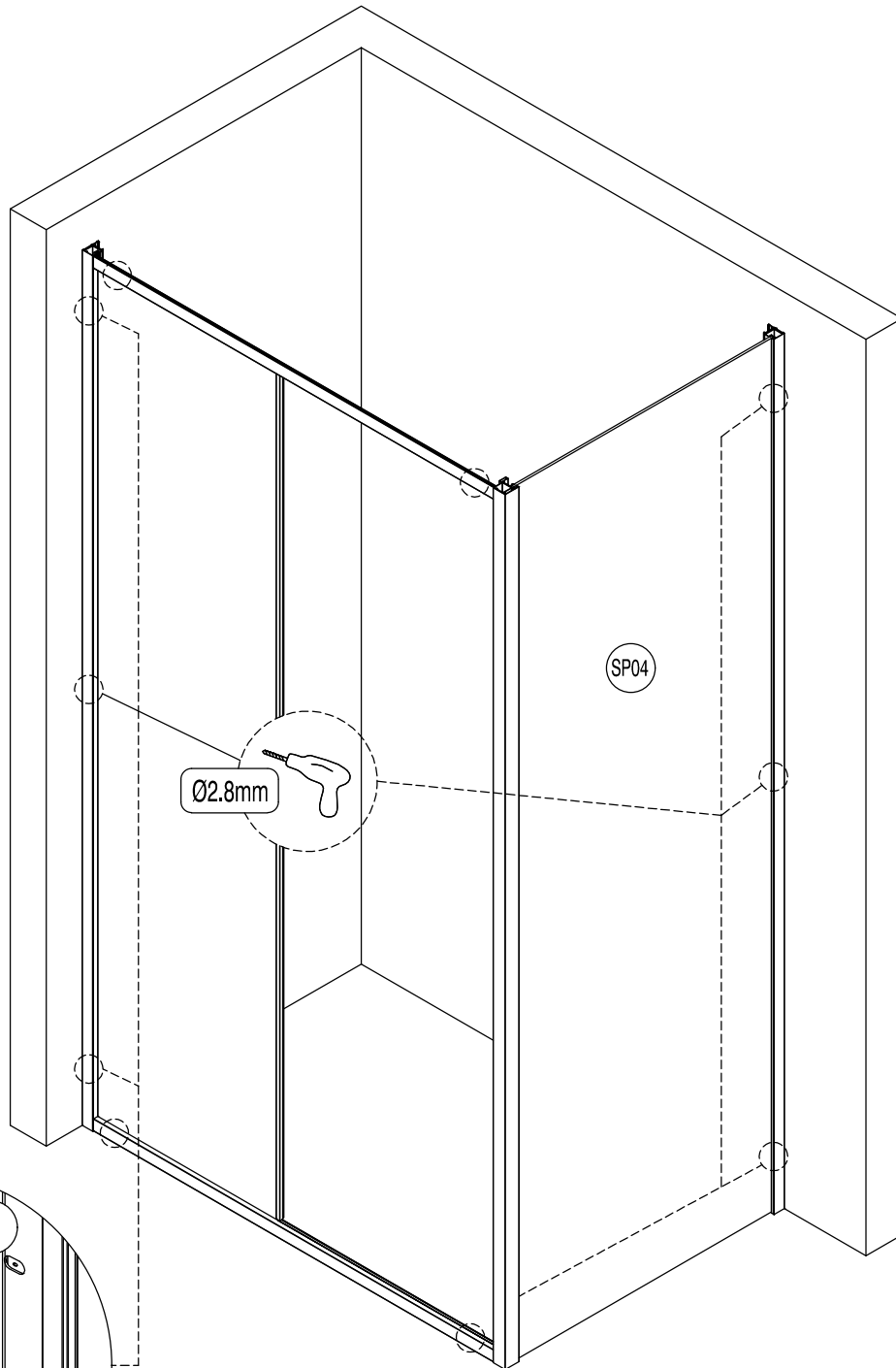
2



3

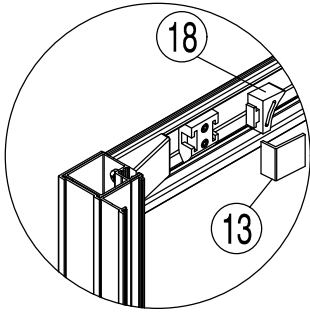


L

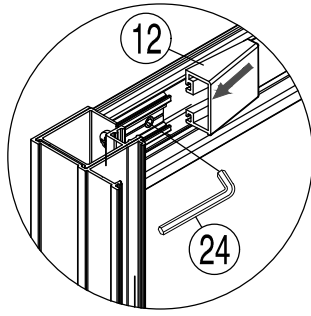


R

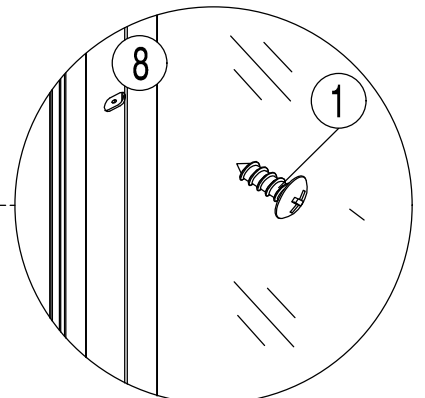
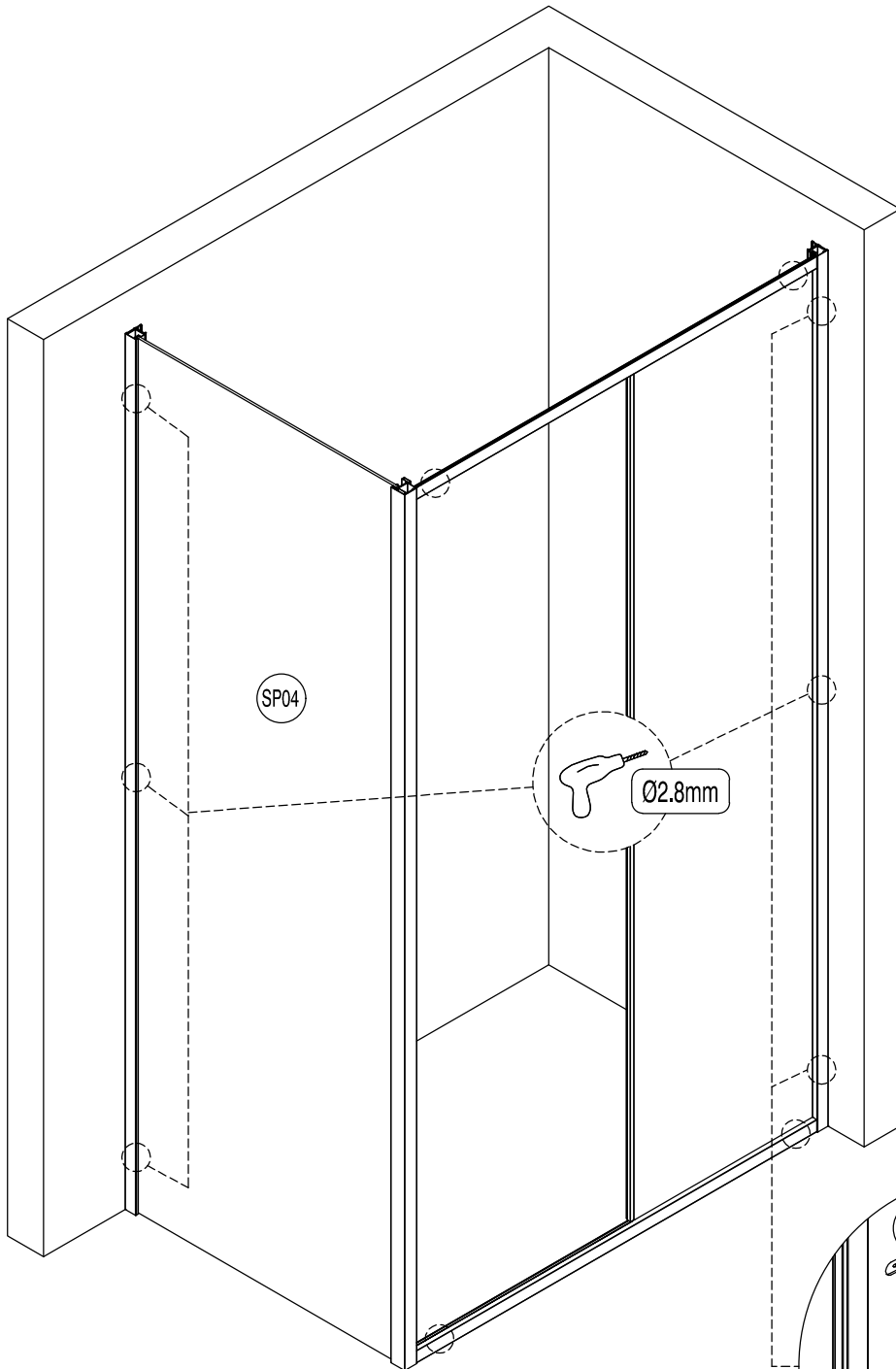
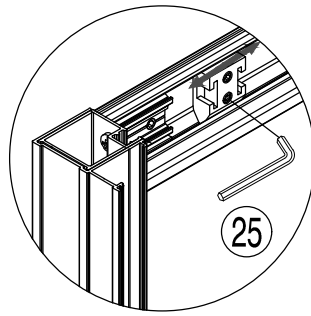
3



2

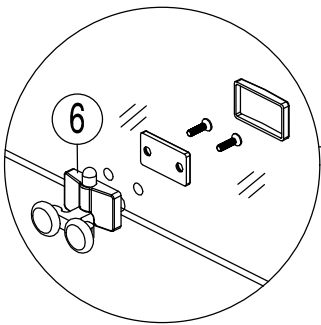
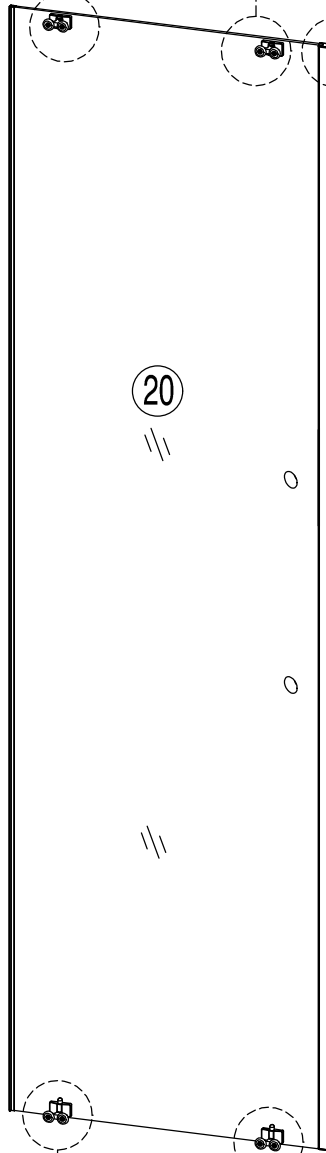
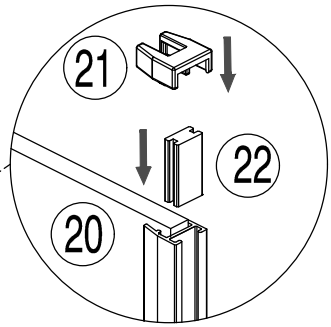
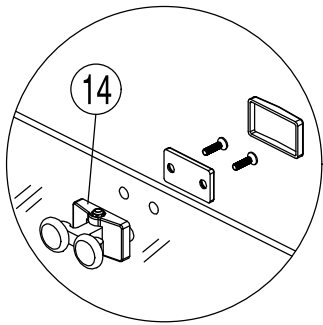


1

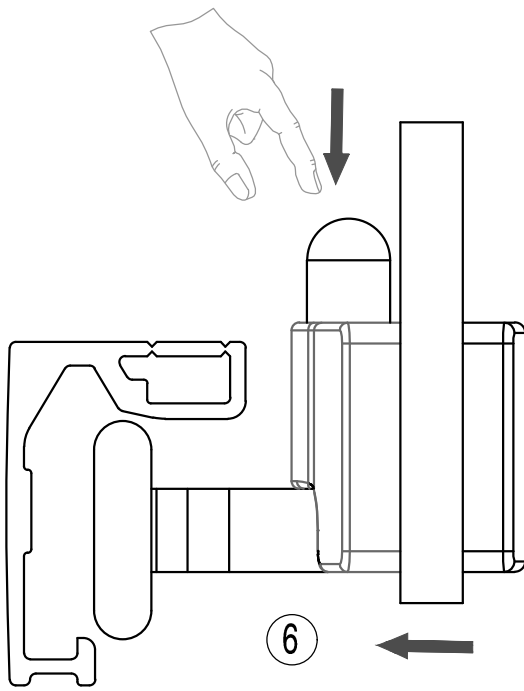
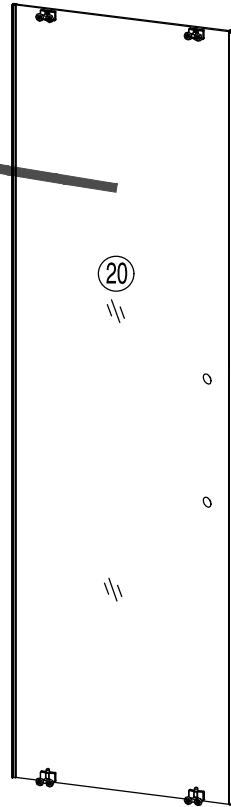
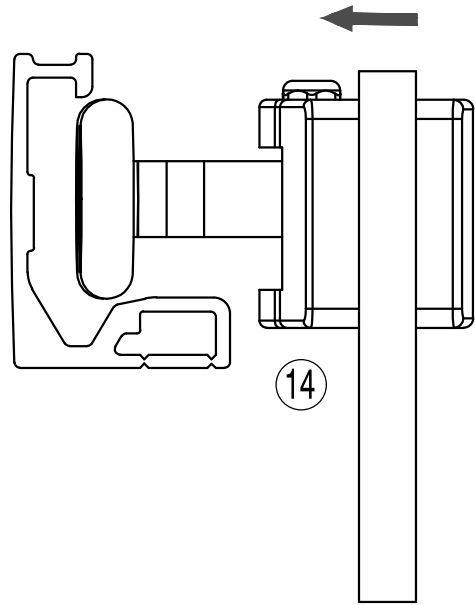
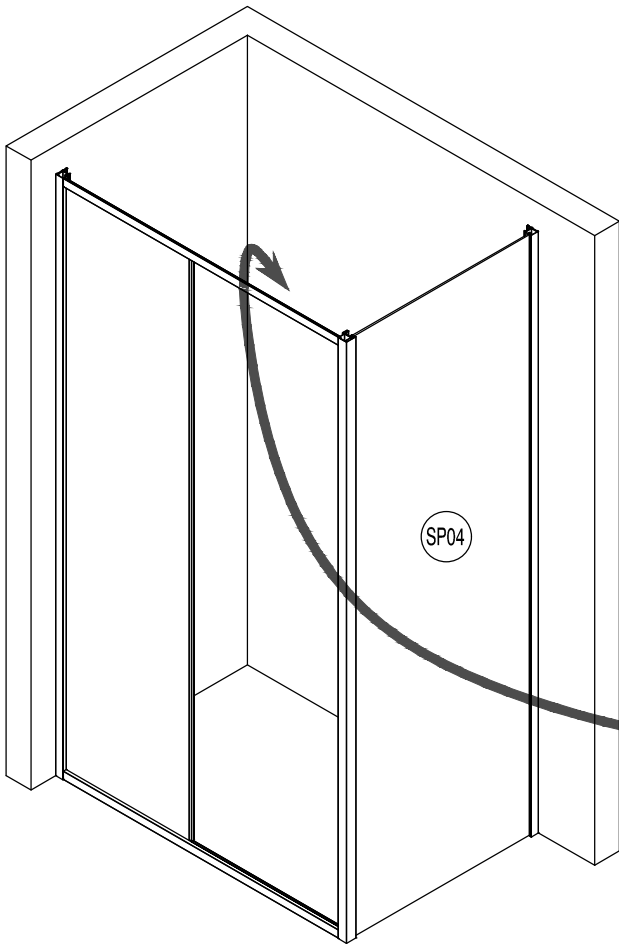


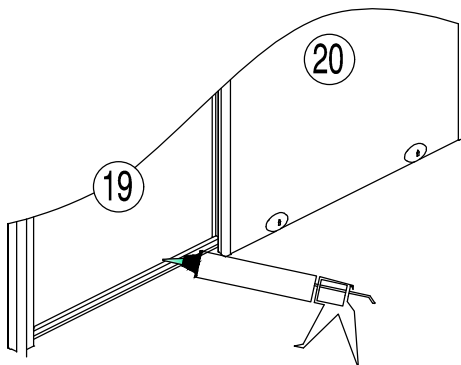
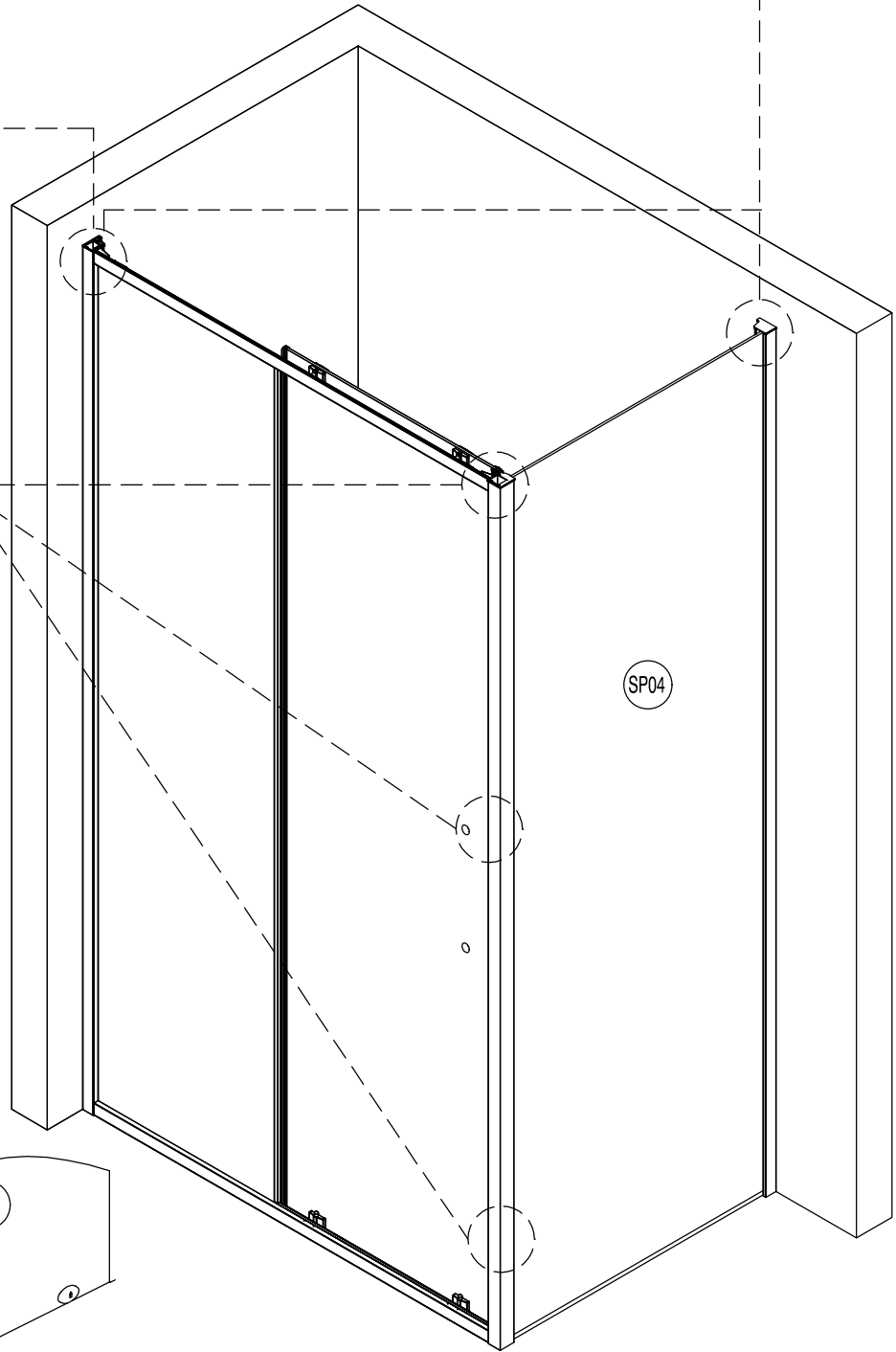
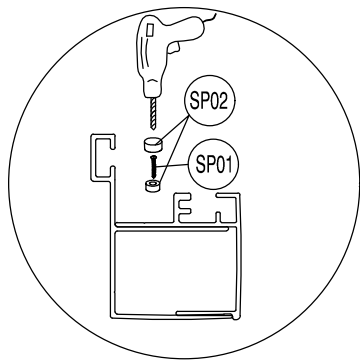
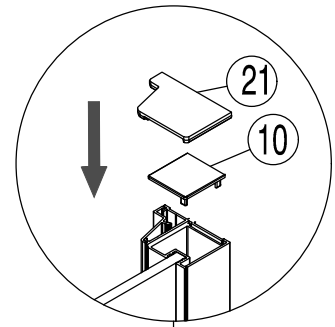
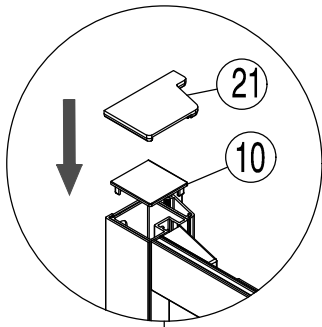
< 7 >

L



L





<10 >

